



The **Skin remodeling System** is a revolutionary skin rejuvenation treatment that effectively stimulates new collagen growth in the deeper skin layers, replacing aged and sun damaged collagen, plumping the skin, smoothing wrinkles, tightening skin and muscles.

- **Structural rejuvenation**
- **Dermal density**
- **Muscle toning**
- **Osteogenesis**

**All in one treatment head, all delivered simultaneously, in one short 30 minutes treatment**

\*Not available in the United States





**THE SKIN REMODELING SYSTEM™ is the first to offer an innovative proprietary remodeling treatment by combining the synergy of five scientifically-proven technologies, for outstanding results.**

The **Skin Remodeling System™** is a revolutionary new skin rejuvenation system that effectively stimulates new collagen growth in the deeper skin layers, replacing aged and sun damaged collagen, plumping the skin, smoothing wrinkles, tightening skin and muscles.

Have your clients been asking for a non-surgical procedure that delivers better, faster, and longer-lasting results?

#### **Can you offer them treatments that:**

1. **Stimulate cell renewal** and the growth of new healthy skin.
2. **Activate neo-collagen production** restoring volume and elasticity to the skin, while plumping wrinkles.
3. **Relax dynamic lines** erasing the areas of facial expression such as crow's feet, worry lines and lip wrinkles.
4. **Tighten the skin** to a youthful smoothness and tautness.
5. **Restore muscle tone** by redefining the facial contour, lifting the cheeks and tightening the jawline and neck.

You can provide them with all these advanced features in the new Skin Remodeling System™...powered by HVPC technology

#### **How can this amazing system work for you? It is all in the head!**

##### **The Synchronized Delivery™ treatment head**

This unique ergonomic treatment head combines **five scientifically proven, "age reversal" technologies**, delivering them simultaneously through a single treatment head, providing a remarkably effective treatment in a fraction of the time.

The **Synchronized Delivery system™** uses a computerguided program that skillfully applies the optimum treatment protocol at the precise intensity for the exact duration.

The **Synchronized Delivery system™** treats age-related problems by improving dermal density and muscle tone through a proprietary technology called **HVPC Remodeling™**.

Thermal and non-destructive this technology restores the cells by using a unique mechanism of action, combining

- High Voltage Pulsatile Currents**
- Ultrasound**
- Impulse Micro-Currents**
- Electroporation and Iontophoresis currents**

with a unique delivery system to specifically target all major components responsible for the aging skin appearance.





**HERE IS HOW THE SKIN REMODELING SYSTEM™ UNLOCKS THE POWERFUL CAPACITIES OF THESE EXCITING "SCIENCE-BASED" TECHNOLOGIES.**

### **HVPC**

HVPC current is used to repair and renew muscle fibers, improving muscle tone and skin elasticity.

### **ULTRASOUND**

Ultrasound 1 MHz safely heats the deeper layers of the skin, initiating collagen remodeling and tightening skin.

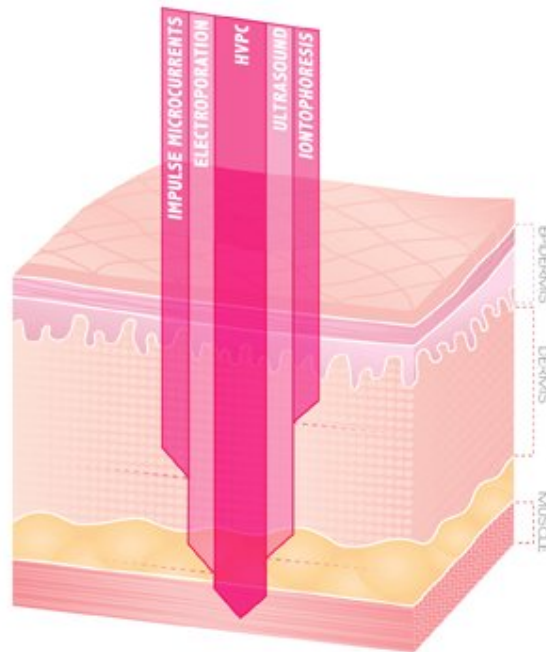
### **IMPULSE MICRO-CURRENTS**

Impulse micro-currents lift sagging muscles and increase ATP production, giving all cells the necessary energy to maintain their essential daily functions such as cellular division and repair.

### **ELECTROPORATION**

The combination of Electroporation, Phonophoresis and Iontophoresis current is another technological innovation, increasing the penetration of essential anti-aging ingredients at depth never reached before.

The Skin Remodeling System™ is the first transdermal delivery system to simultaneously combine the compounded effects of HVPC, Impulse Micro-Currents, Ultrasound, Electroporation and Iontophoresis current.



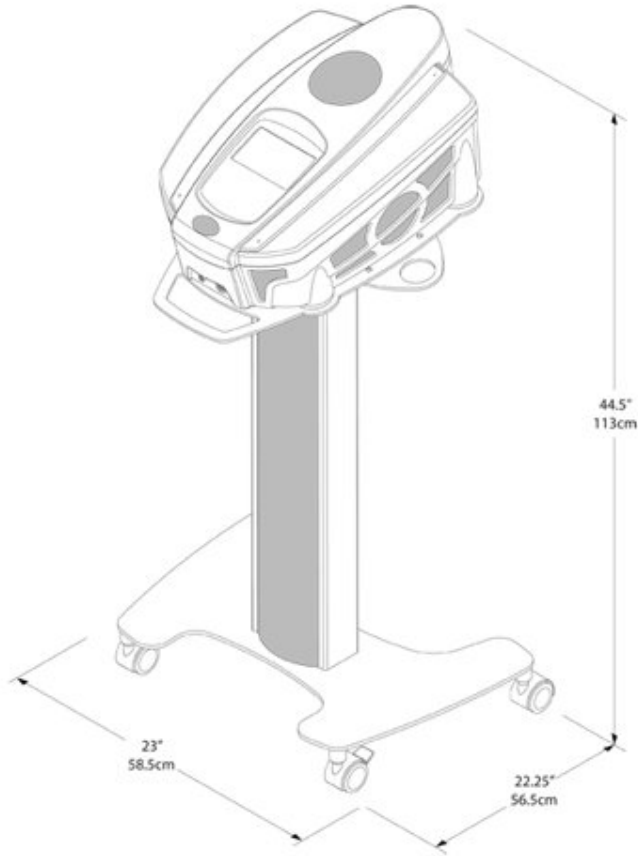


THE SKIN REMODELING SYSTEM™ is the first to offer an innovative proprietary remodeling treatment by combining the synergy of five scientifically-proven technologies, for outstanding results.

Results are visible usually after one treatment:

- Fines lines and wrinkles are noticeably softened
- The facial contour is lifted and toned whitout any adverse effects
- Skin tone is exceptionally radiant





### Technical Specifications

#### Code 411530 (Dual voltage)

#### Specifications:

Power supply: 110V-60Hz-  
220V-50Hz

#### Dimensions:

Width: 14.375 in(36.5 cm)  
Height: 9 in (23 cm)  
Depth: 21 in (53.5 cm)  
Weight: 6.5Kg (14.5 lbs)

#### Mobile base:

**Mounted on silent caster wheels, making it easy to move around**

Width: 23 in (58.5 cm)  
Height: 44.5 in (113 cm )  
Depth: 22.25 in (56.5 cm)  
Weight: 20 Kg (44 lbs)